

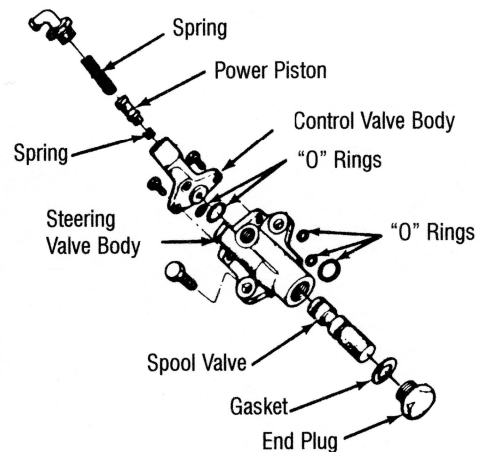
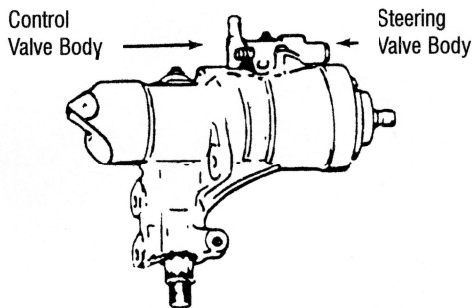
Power Brake Exchange

260 Phelan Ave. San Jose, Ca. 95112 Ph. (408) 292-1305 Fax (408) 294-6817

Technical Bulletin – TB6

TROUBLESHOOTING CHRYSLER POWER STEERING GEAR BOXES

- USE:** Chrysler vehicles 1962-1972, 1975-1988
- PROBLEM:** Whine or growl noises. Poor steering return. Hard steering or lack of assist. Binding in steering or leakage.
- REASON:** Sticking Power Piston or restriction in Control Valve Body.
- ANSWER:** Disassemble Control Valve Body. Clean & inspect all parts. Flush system thoroughly and bleed according to manufacturers specifications. NOTE: Control Valve body may not be supplied with your replacement gear box. Do not transfer part until thoroughly flushed



Do not tamper with steering valve body this is pre-set at the factory.